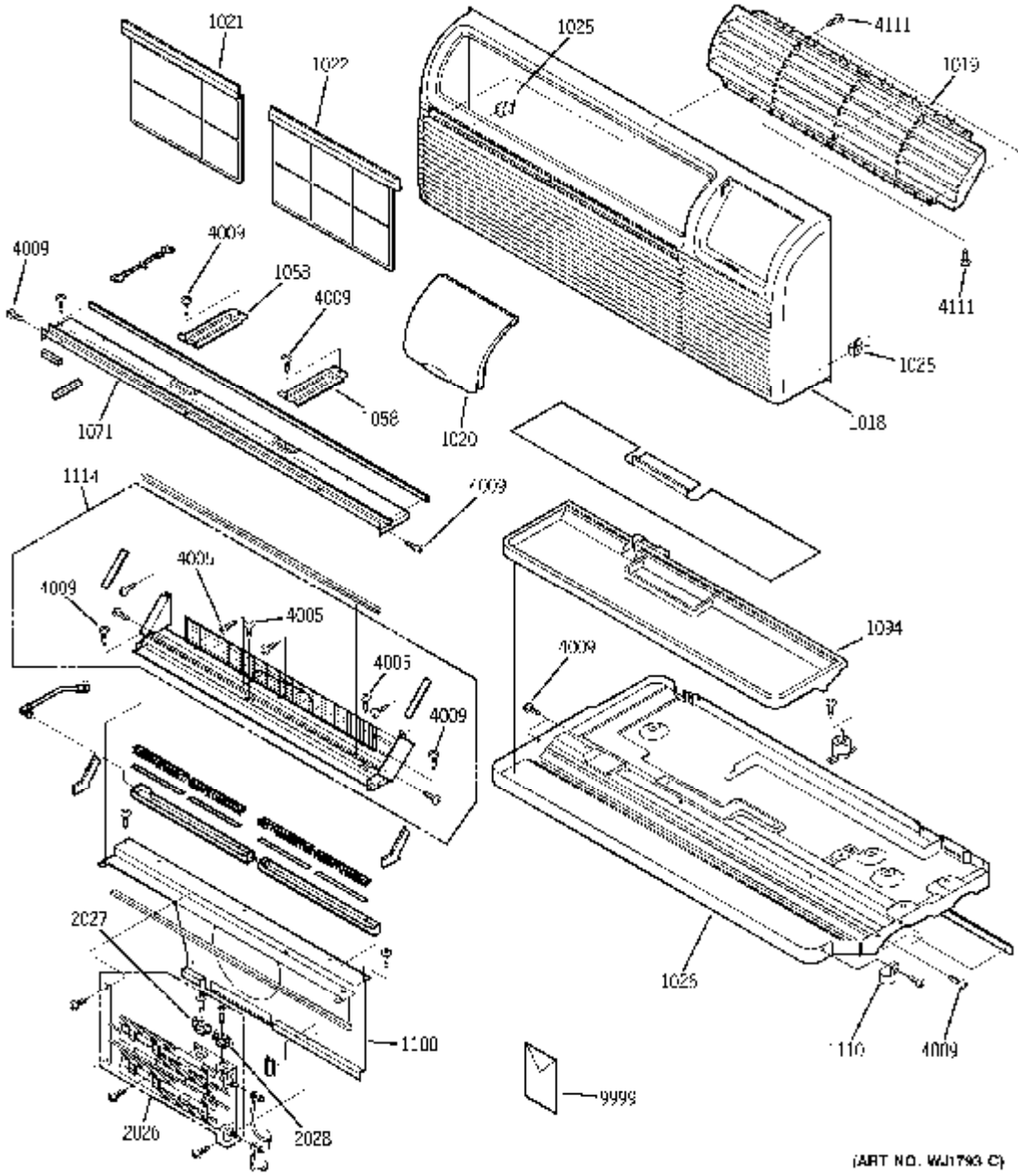


PARTS LIST

GE Model # **AZ25E15D3BM1**

For Sales Assistance Visit

www.ptacsolutions.com or call 1-877-PTAC-BUY



(ART NO. WJ1793 C)

DESCRIPTION	DRAWING	
	REFERENCE NO	PART NO.
AIR FILTER L	1021	WP85X10003
AIR FILTER R	1022	WP85X10004
BASE PAN ASS'Y	1026	WJ89X10019
BRACE	1058	WP65X10001
BULKHEAD COVER ASS'Y	1071	WP79X10011
CONTROL COVER	1020	WP71X10004
DRAIN TRAY	1094	WP70X10024
FRONT PANEL	1018	WP71X10009
HEATER ASS'Y	2026	WP70X10022
ORIFICE	1100	WP78X10003
PLATE ASS'Y SK	1114	WP71X10011
PROTECTOR	2028	WP28X10007
PROTECTOR	2027	WP28X10005
R. LOUVER	1019	WP71X10012
SPECIAL SCREW	4009	WJ01X10037
SPECIAL SCREW	4111	WJ01X10110
SPRING	1025	WP02X10001
TAPPING SCREW	4005	WJ01X10038

USE & CARE MANUAL

9999

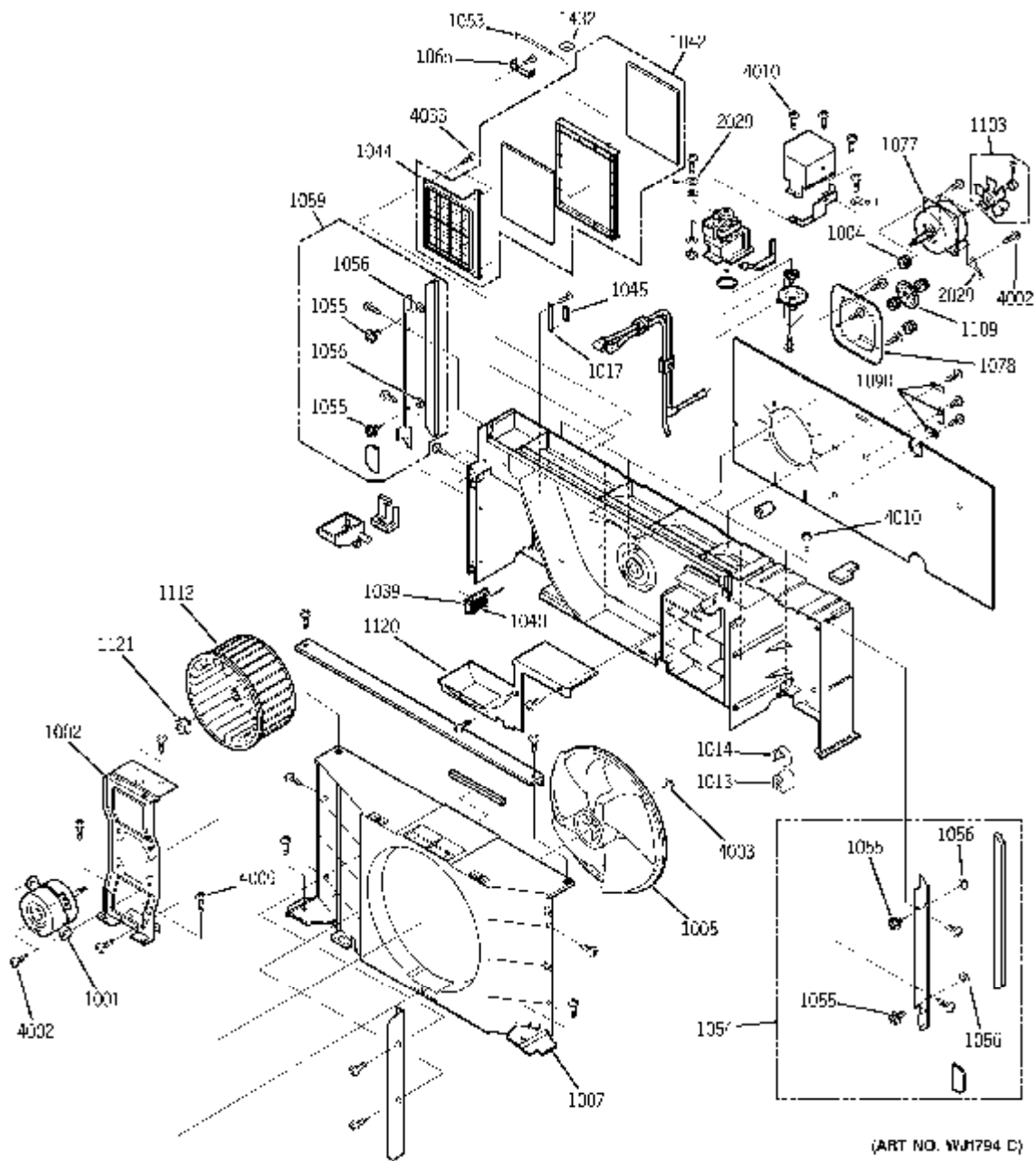
49-7415

[Use And Care Manual](#)

WIRE HOLDER

1110

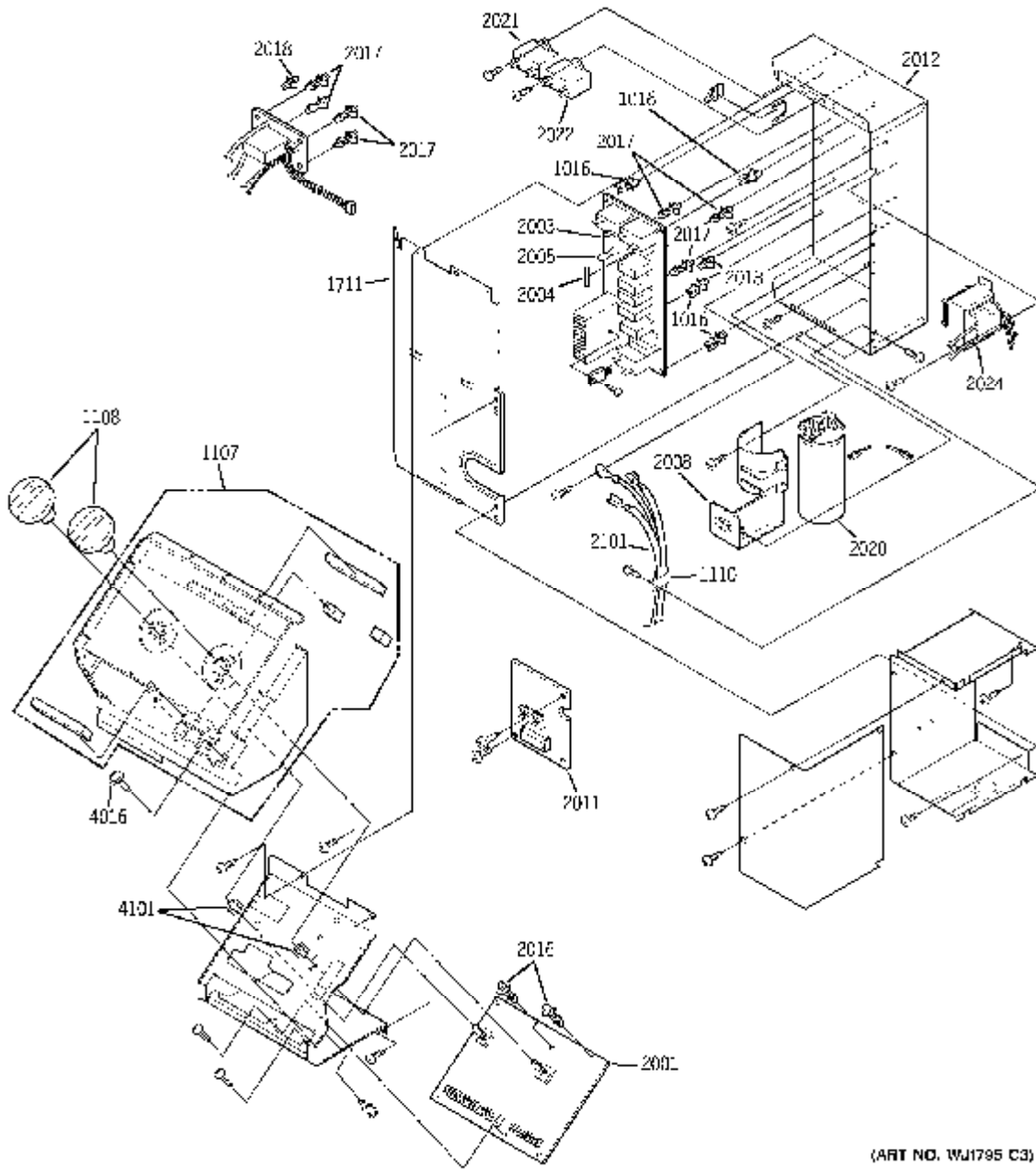
WJ03X10006



(ART NO. WJ1794 C)

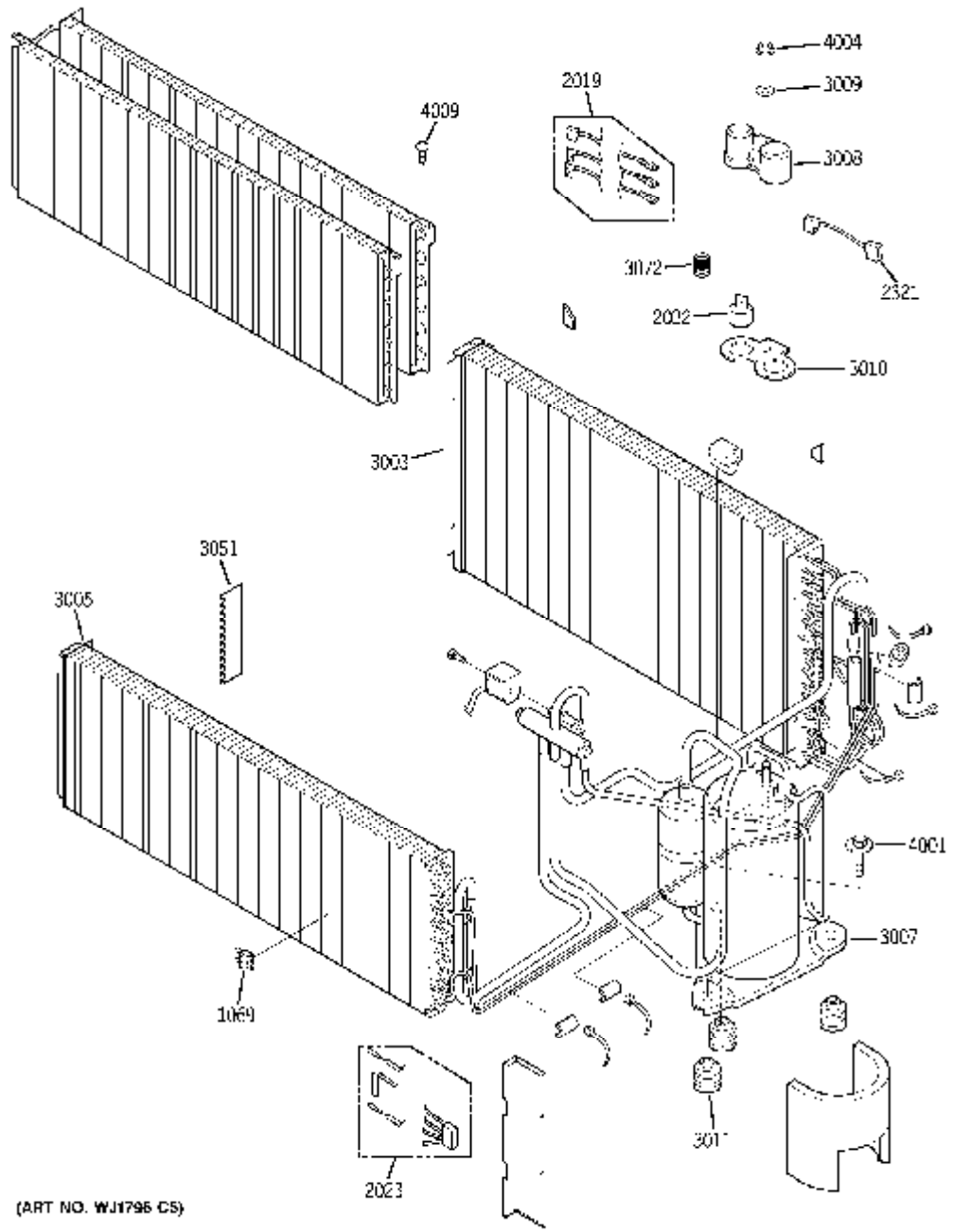
DESCRIPTION	DRAWING REFERENCE NO	PART NO.
BULKHEAD INSULATOR	1013	WJ40X10014
BULKHEAD INSULATOR	1014	WJ40X10015
CAB. ANGLE ASS'Y	1054	WJ82X10023
CAB. ANGLE ASS'Y LH	1059	WJ82X10024
CASING TARY	1120	WP78X10004
CENTRIGUGAL FAN	1112	WP73X10005
CLAMP	1090	WJ01X10159
CONDNSER SHROUD	1007	WP76X10023
DAMPER ASS'Y	1042	WP70X10023
DAMPER HOLDER	1040	WJ05X10014
DAMPER LEVER	1039	WJ14X10008
DAMPER WIRE	1053	WP01X10003
FAN	1103	WP73X10006
FAN MOTOR	1001	WP94X10089
FRAME	1044	WP76X10002
IN MOTOR RUBBER	1109	WJ01X10033
LEAD WIRE	2029	WJ37X10001
MAGNET	1045	WP01X10001
MAGNET PLATE	1017	WP01X10011
MOTOR ANGLE	1078	WJ65X10035
MOTOR CUSHION	1004	WJ01X10034
MOTOR FAN	1077	WP94X10121
OUT DOOR MOTOR MOUNT	1002	WJ65X10048

PROPELLER FAN	1005	WJ73X10047
PUSH NUT	1432	WP02X10003
RUBBER WASHER	1056	WP01X10005
SPECIAL NUT	1121	WJ1X982
SPECIAL NUT	4003	WJ01X10041
SPECIAL SCREW	1055	WP01X10004
SPECIAL SCREW	4002	WJ01X10035
SPECIAL SCREW	4009	WJ01X10037
SPECIAL SCREW	4010	WJ01X10012
TAPPING SCREW	4033	WJ01X10158
WIRE ANGLE	1065	WJ82X10026



(ART NO. WJ1795 C3)

DESCRIPTION	DRAWING REFERENCE NO	PART NO.
CAPACITOR CLAMP	2008	WP03X10004
CONTROL BOX	2012	WP76X10025
CONTROL BOX F	1711	WP79X10012
CONTROL KNOB ASS'Y	1108	WJ12X10009
DRIVE PWB	2003	WP26X10017
FUSE	2004	WP23X10003
ID FAN MOTOR CAPACITOR	2021	WJ20X10017
KNOB BASE HOLDER	2011	WP07X10005
KNOB BASE K	1107	WP07X10004
MODE & T-START PWB	2001	WP26X10016
OD FAN MOTOR CAPACITOR	2022	WP20X10005
POWER SUPPLY CORD	2101	WJ35X10142
RUNNING CAPACITOR	2020	WP20X10009
SPACER	1016	WP01X10010
SPACER	2016	WJ01X10157
SPACER	2017	WJ01X10155
SPACER	2018	WJ01X10043
SPECIAL NUT	4101	WJ01X10042
SPECIAL SCREW	4016	WJ01X10059
TRANSFORMER	2024	WP27X10023
VARISTOR	2005	WP27X10002
WIRE HOLDER	1110	WJ03X10006



(ART NO. WJ1795 CS)

DESCRIPTION	DRAWING REFERENCE NO	PART NO.
COMP. WIRING	2019	WJ36X10007
COMPRESSOR	3007	WJ98X10023
COMPRESSOR CUSHION	3011	WJ01X10046
CONDENSER ASM.	3003	WP88X10033
END. PLATE LS	3051	WJ82X10011
EVAPORATOR ASM.	3005	WP87X10024
GASKET WASHER	3009	WJ01X10003
LEAD WIRE	2321	WJ27X10001
OVERLOAD, COMPRESSOR	2032	WP23X10008
PROTECTOR SPRING	3072	WJ02X10001
SPECIAL NUT	4004	WJ01X10010
SPECIAL SCREW	4009	WJ01X10037
STUD BOLT	4001	WJ01X10031
TERMINAL COVER	3008	WJ79X10013
TERMINAL GASKET	3010	WJ43X10003
THERMISTOR	2023	WP27X10024
THERMISTOR HOLDER	1069	WJ03X10011